

WIRING DIAGRAMS

Diagram Notes:

Note 1: When operating a two-lamp ballast on one lamp insulate each yellow lead.

Note 2: When operating a three-lamp ballast on one lamp insulate each yellow and blue/white lead.

Note 3: When operating a four-lamp ballast on one lamp insulate each yellow and blue/white, and brown lead.

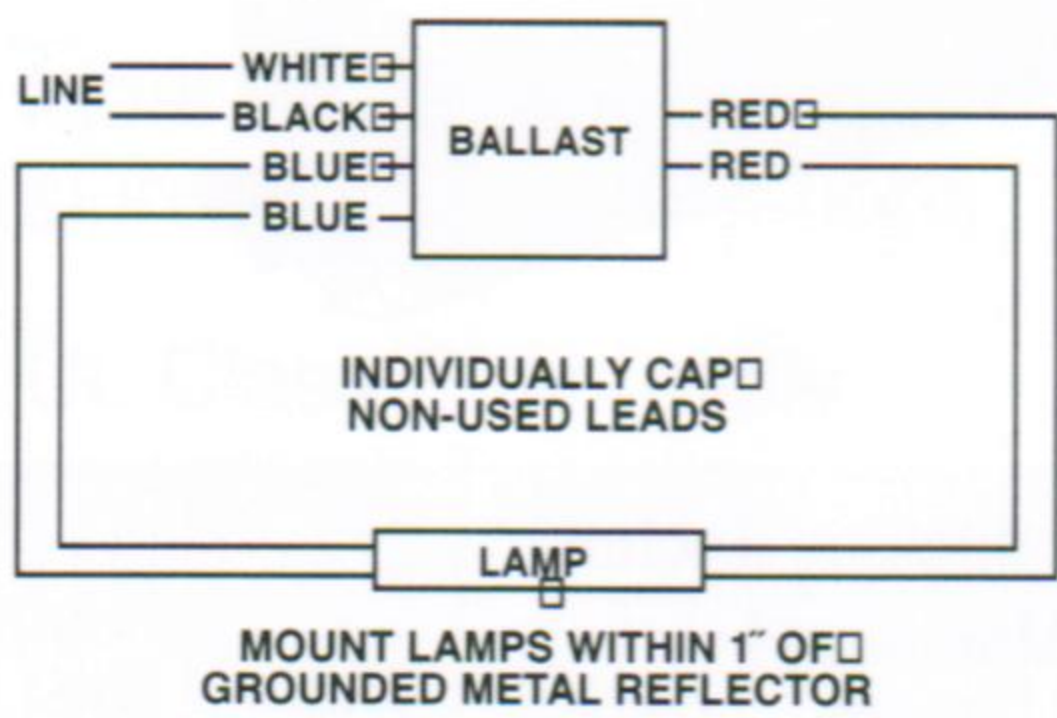


Diagram 1

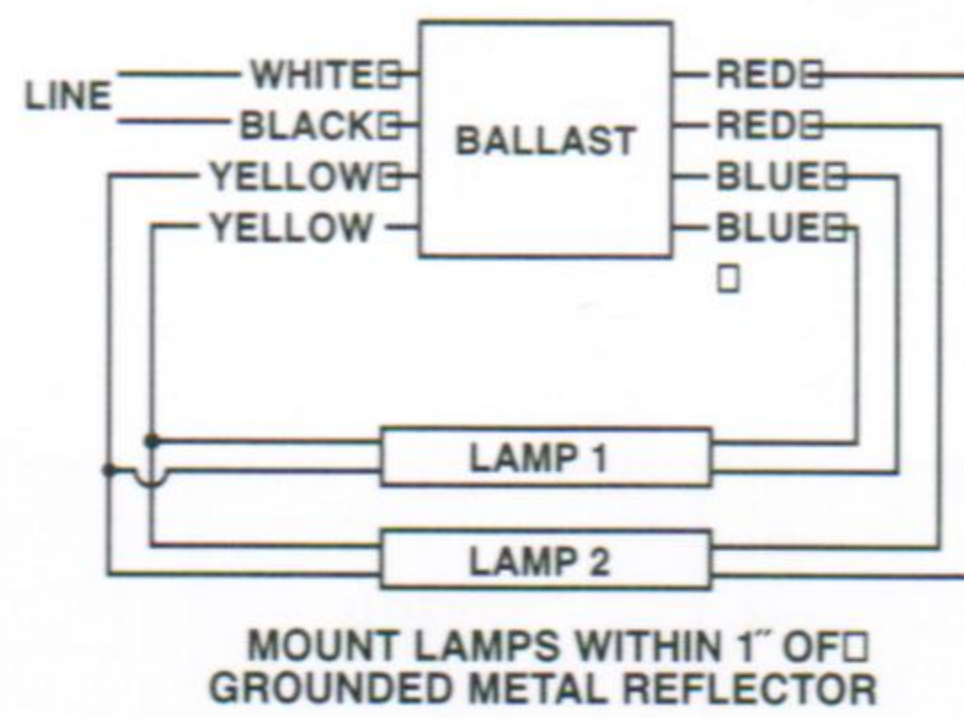


Diagram 2

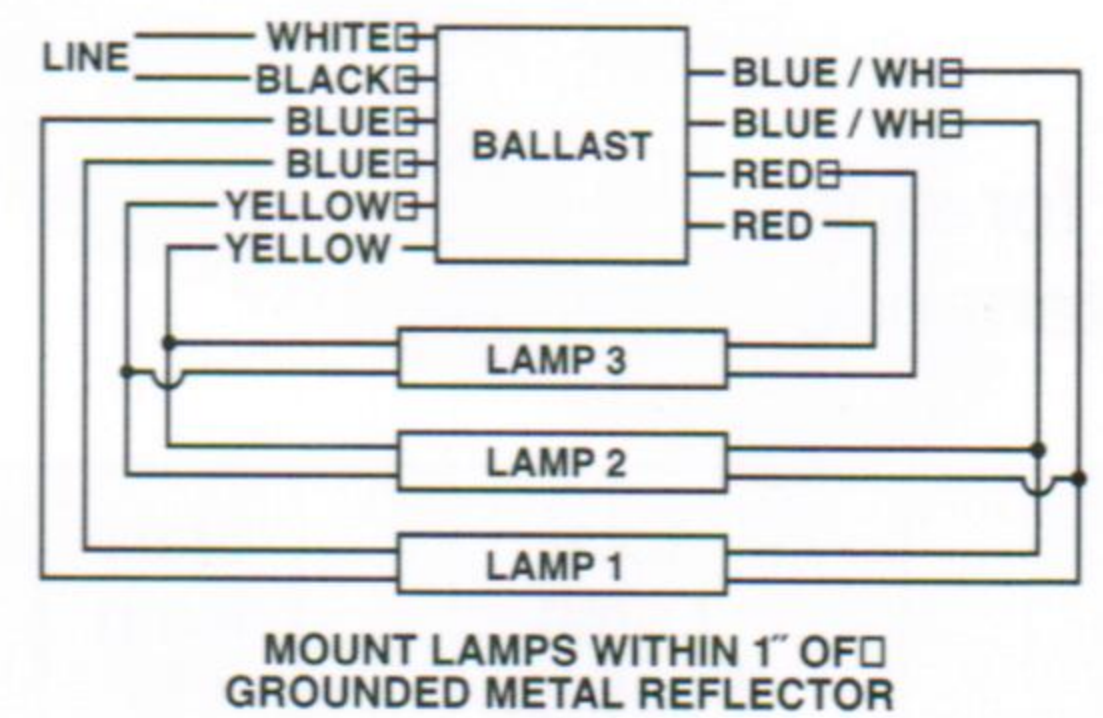


Diagram 3

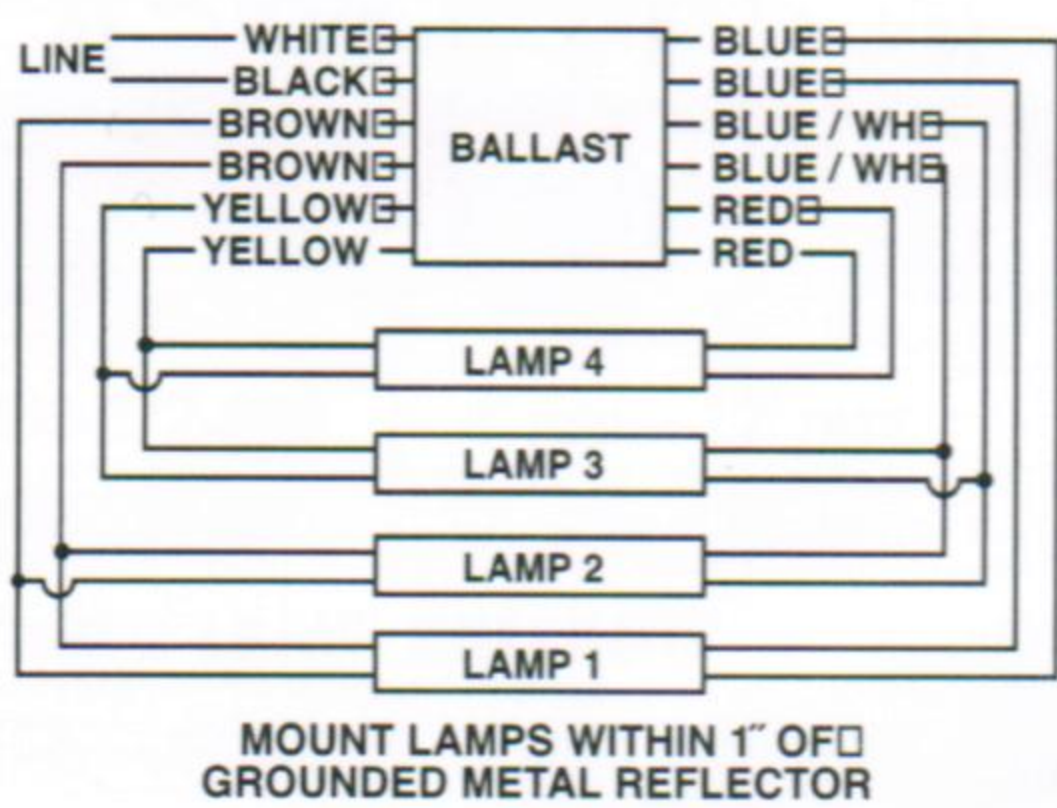


Diagram 4

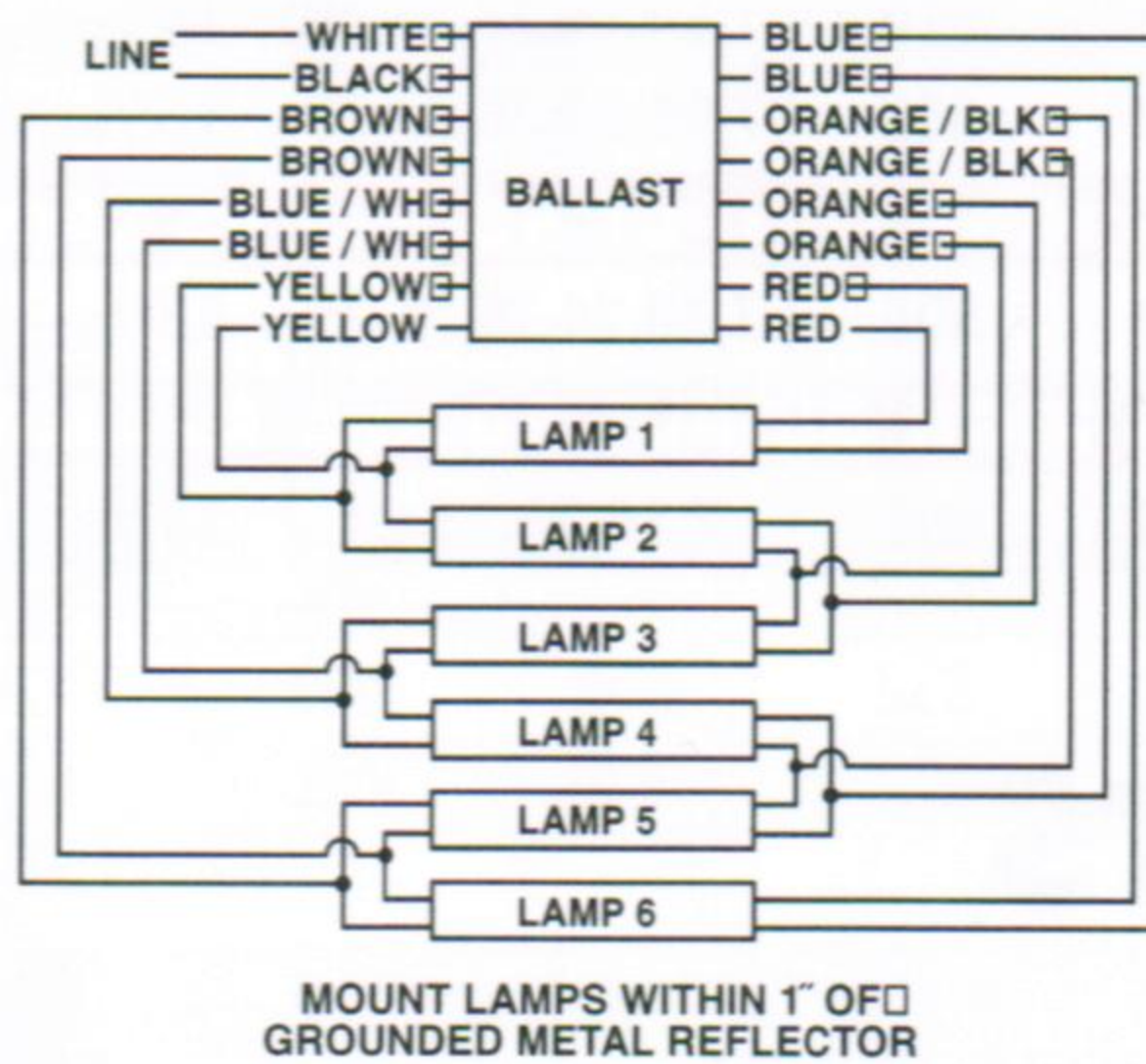


Diagram 5

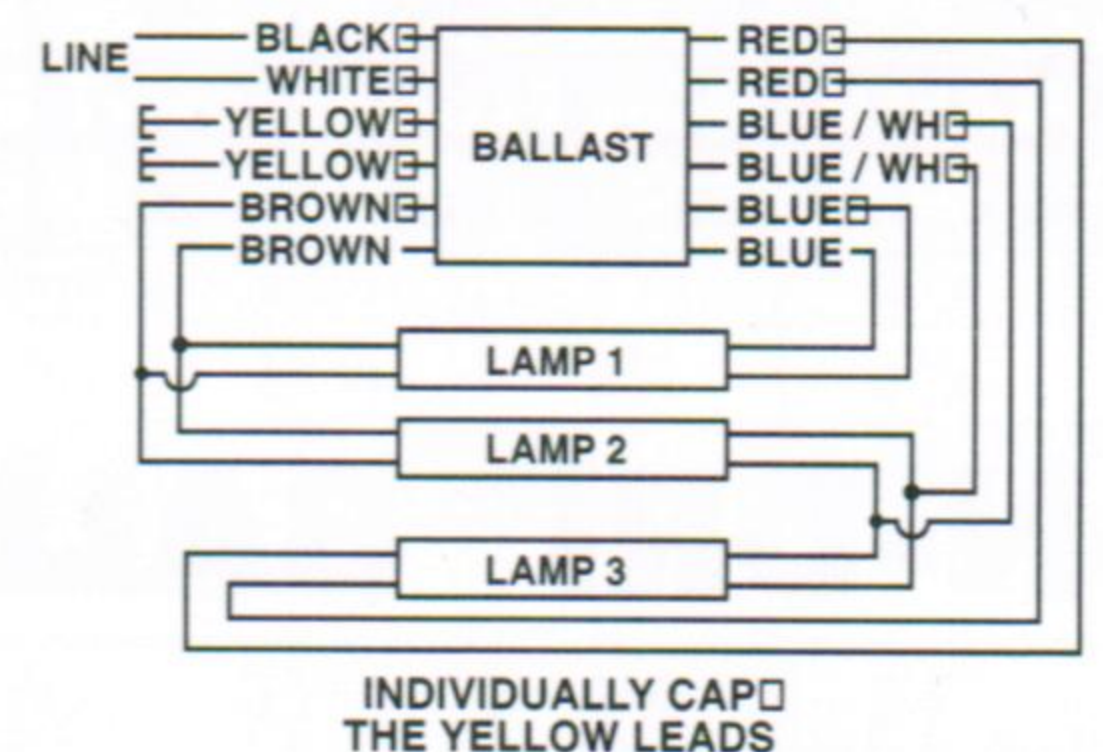


Diagram 6

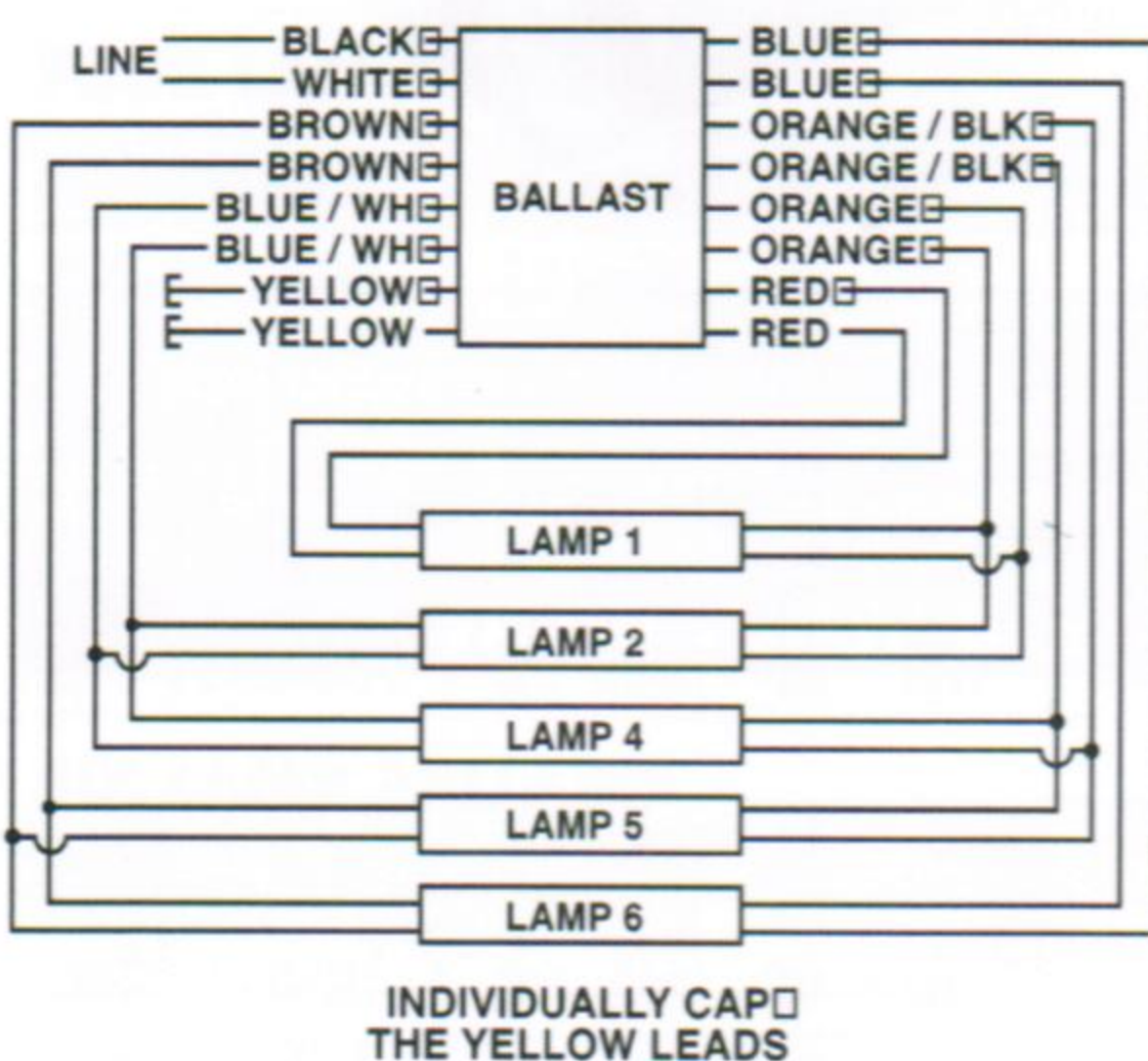


Diagram 7

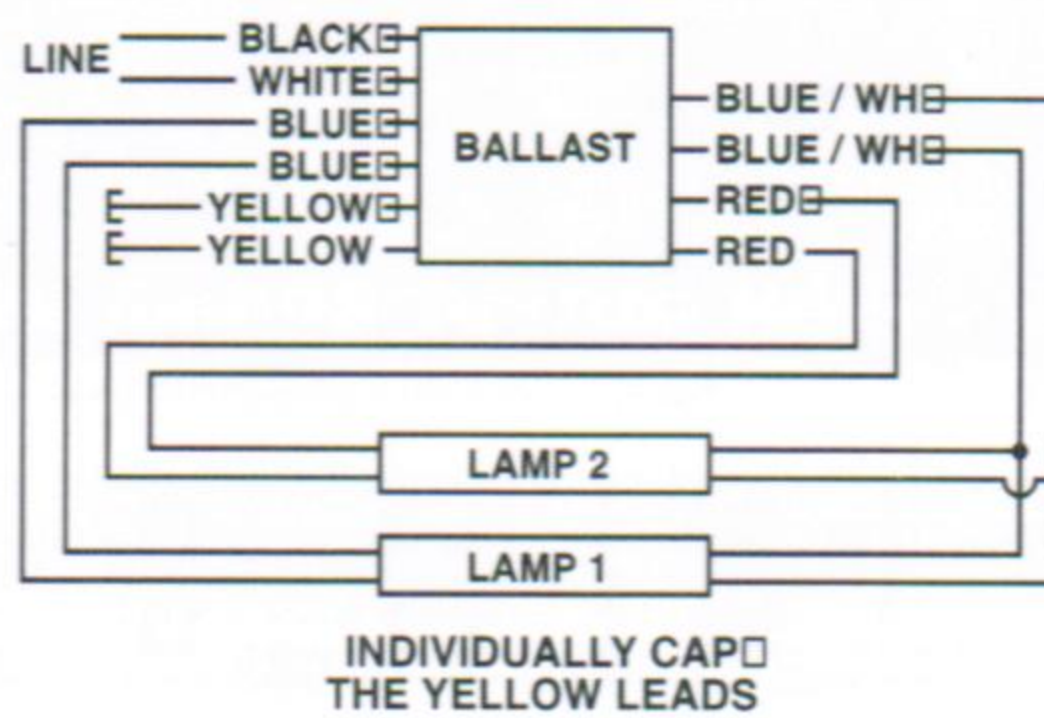


Diagram 8

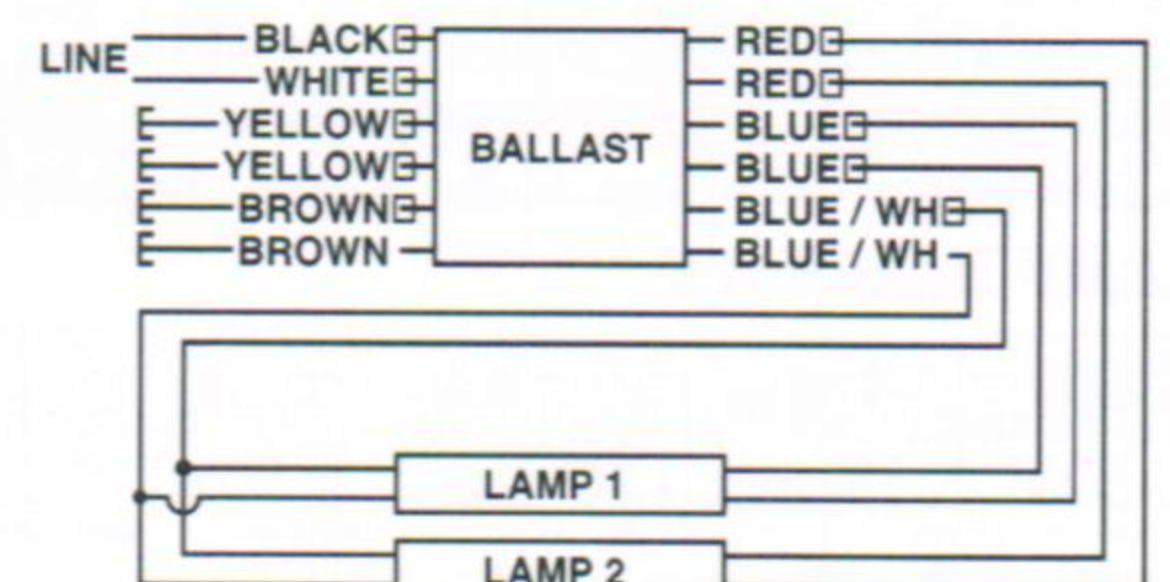


Diagram 9

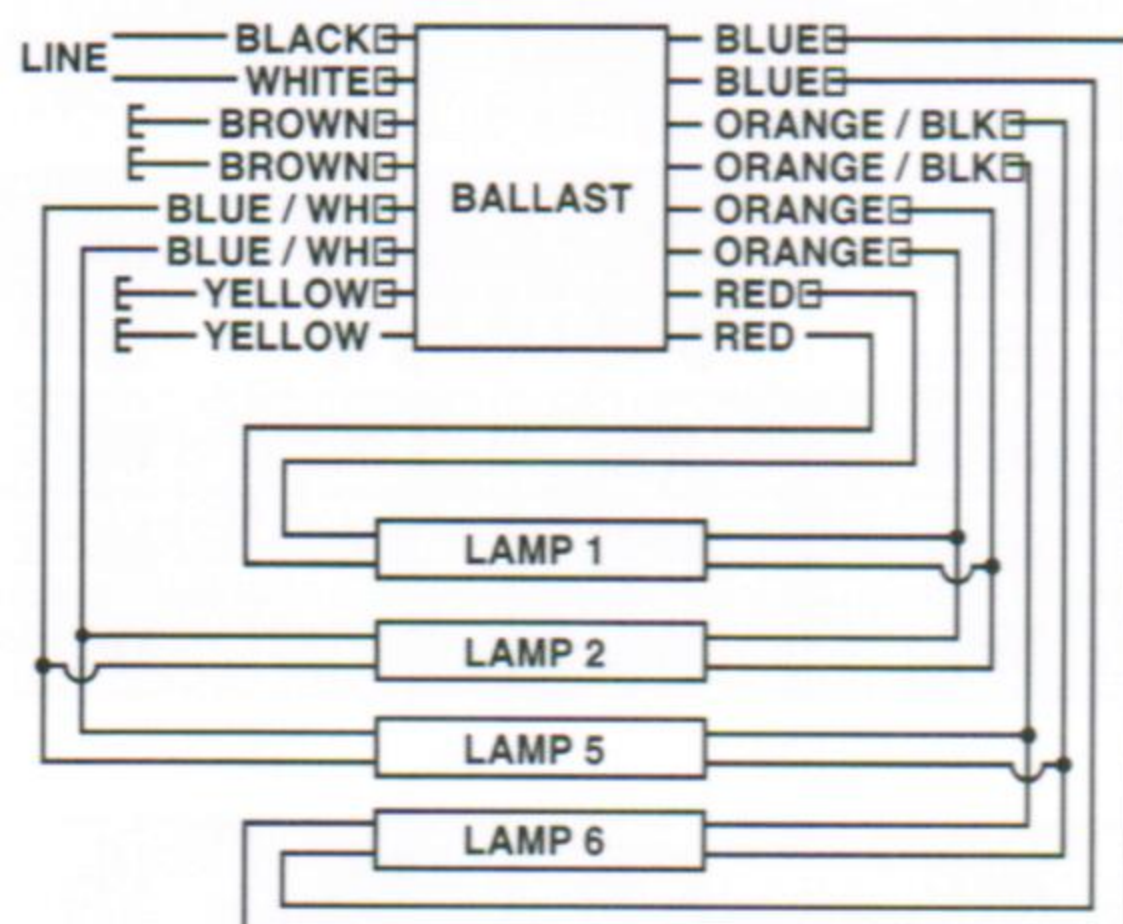


Diagram 10

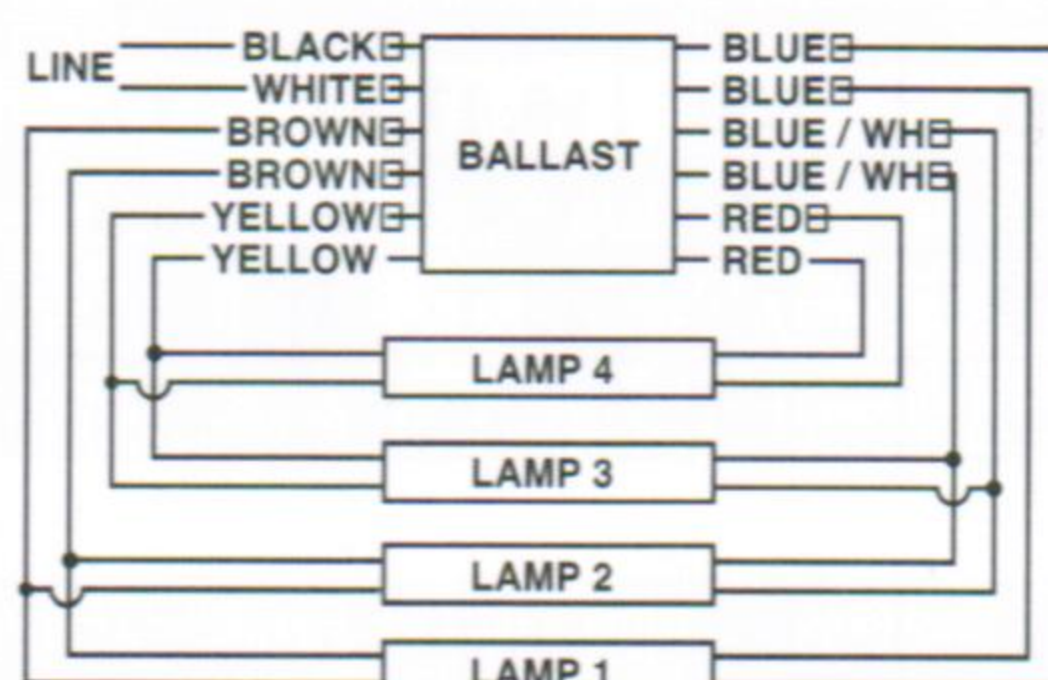


Diagram 16

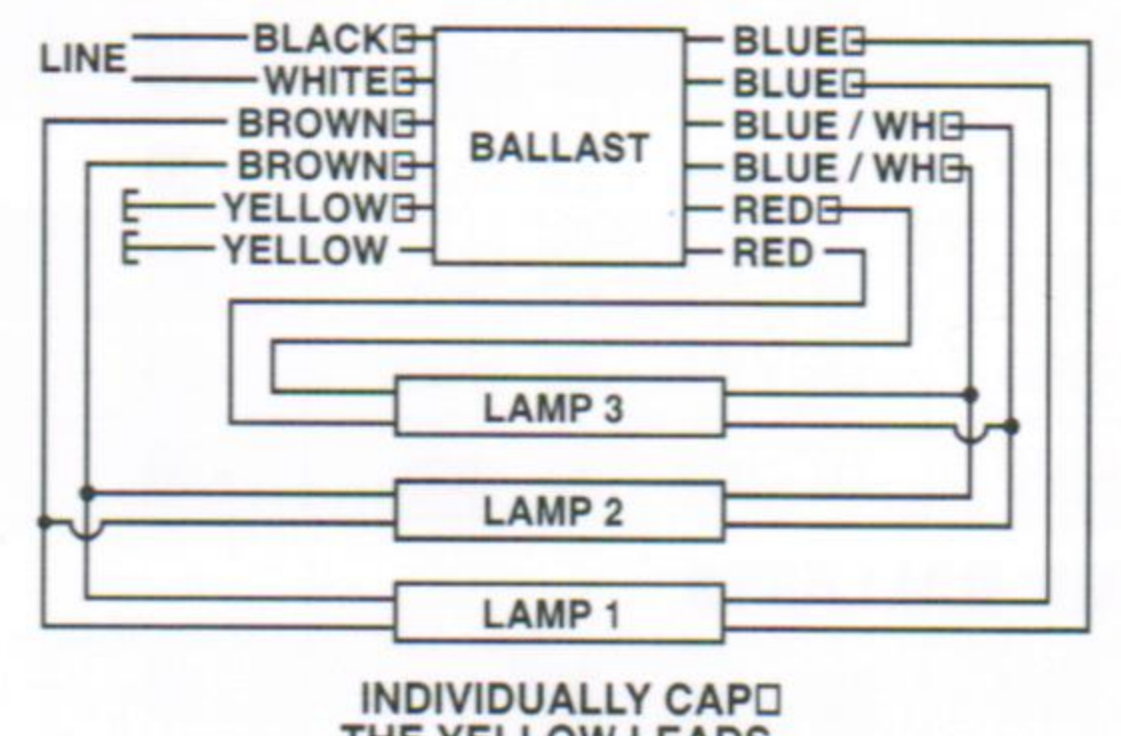


Diagram 17

WIRING DIAGRAMS

Diagram Notes:

Note 1: When operating a two-lamp ballast on one lamp insulate each yellow lead.

Note 2: When operating a three-lamp ballast on one lamp insulate each yellow and blue/white lead.

Note 3: When operating a four-lamp ballast on one lamp insulate each yellow and blue/white, and brown lead.

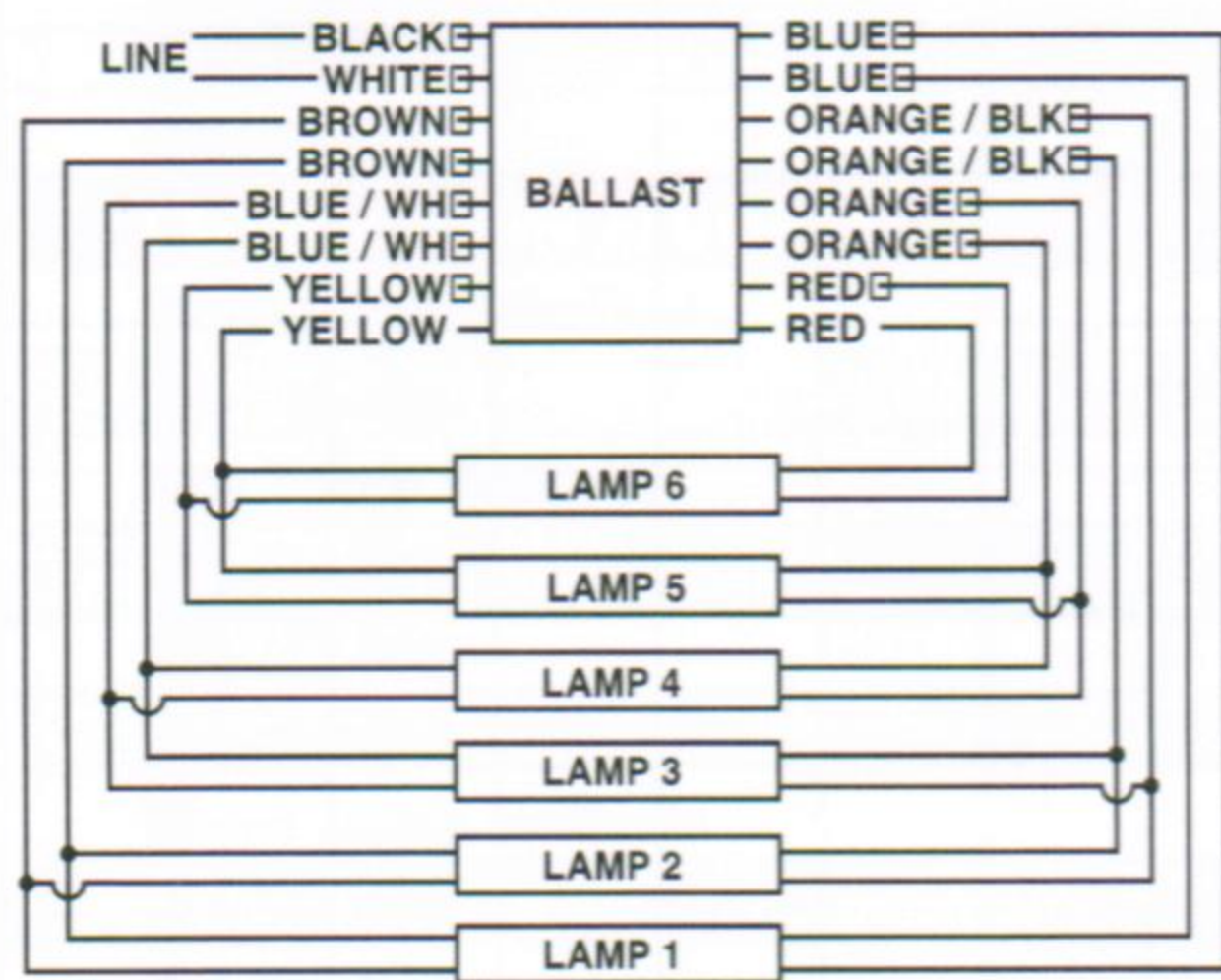
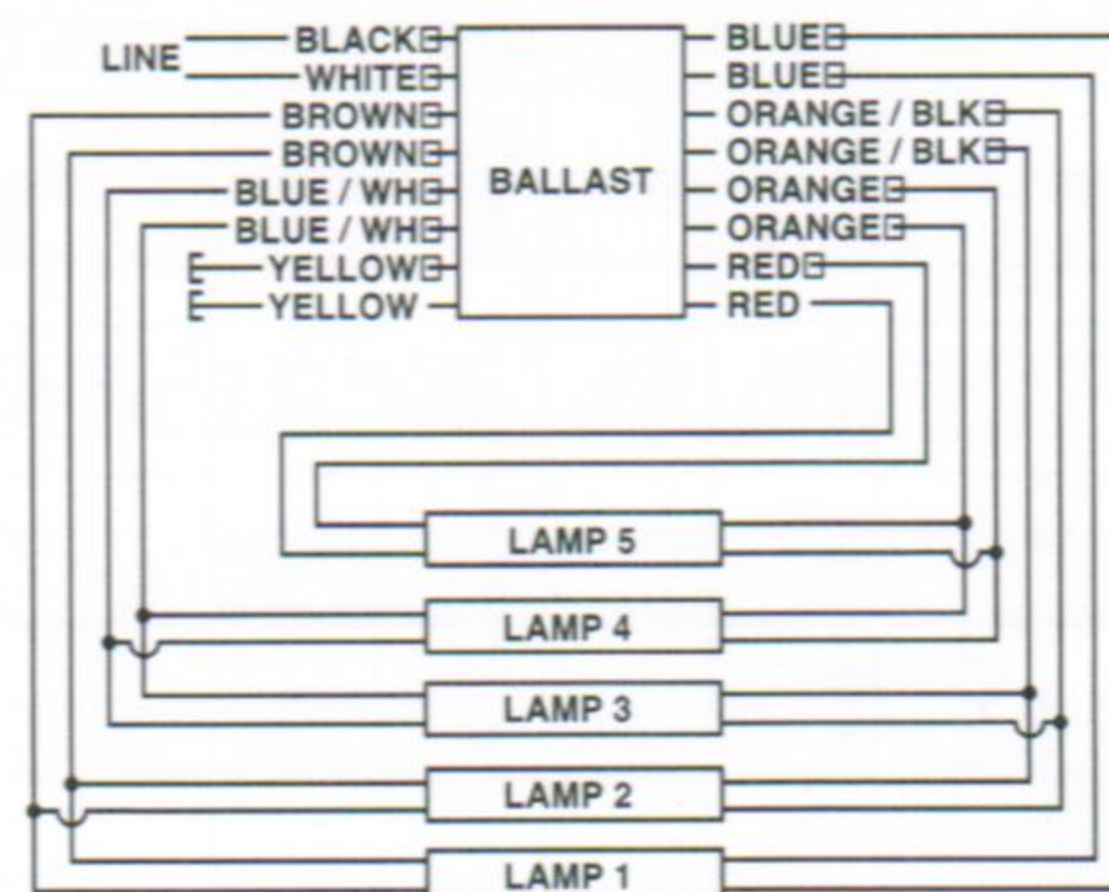
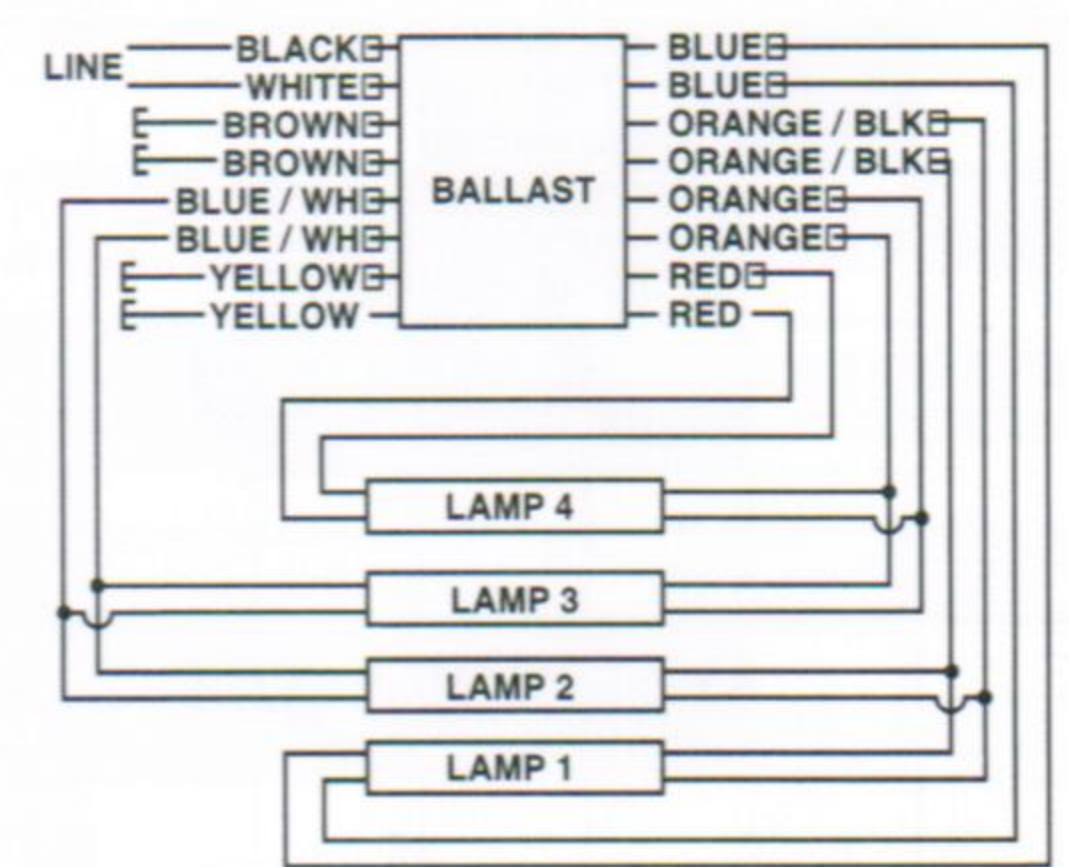


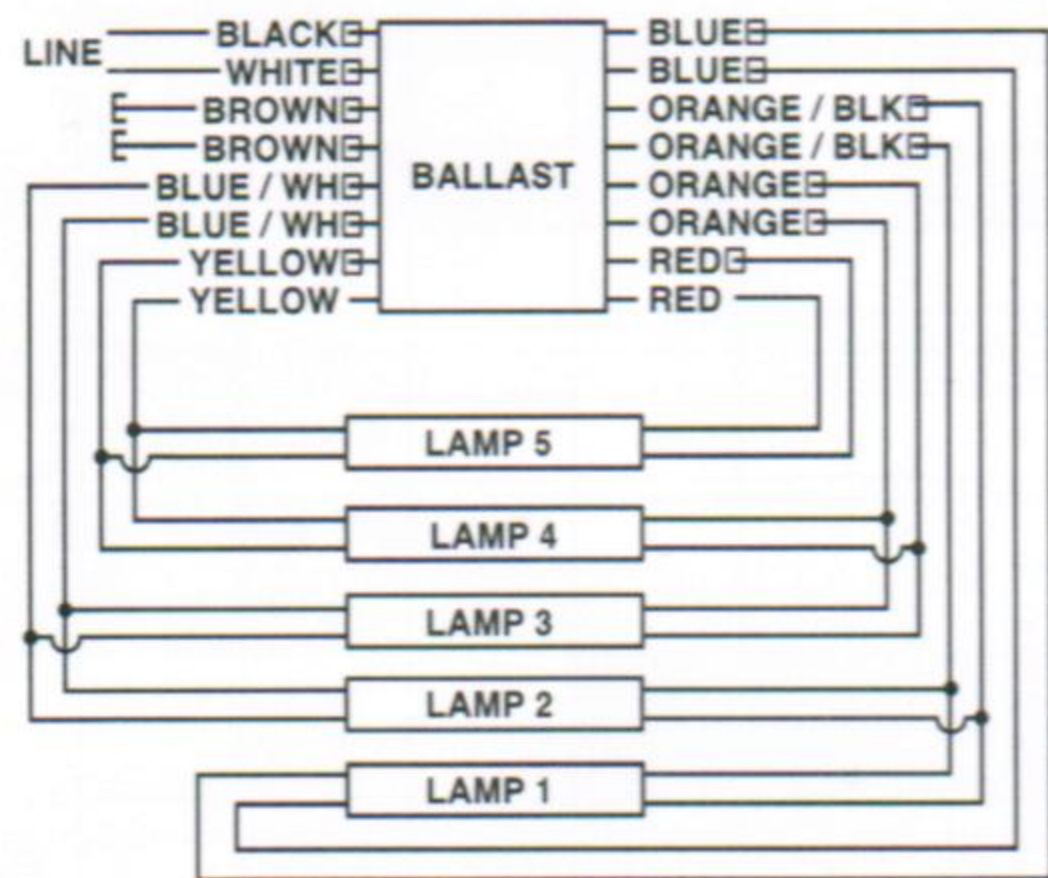
Diagram 18



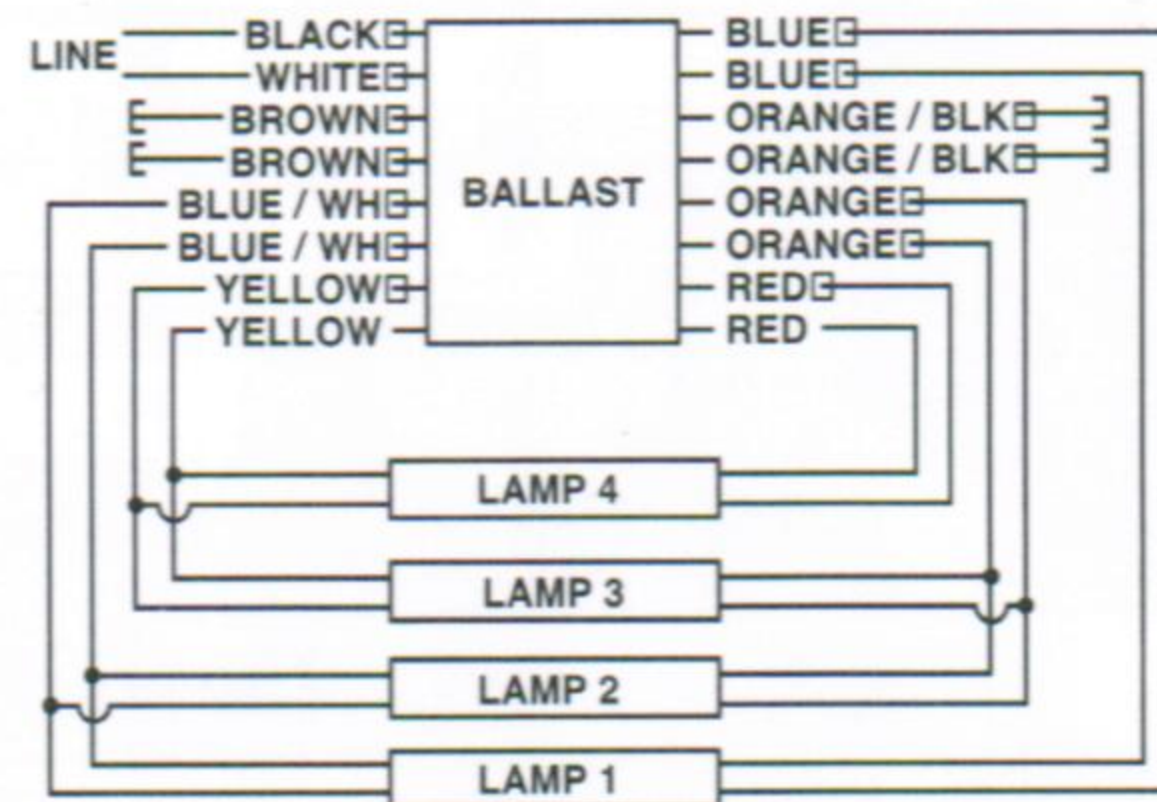
INDIVIDUALLY CAP THE YELLOW LEADS
Diagram 19



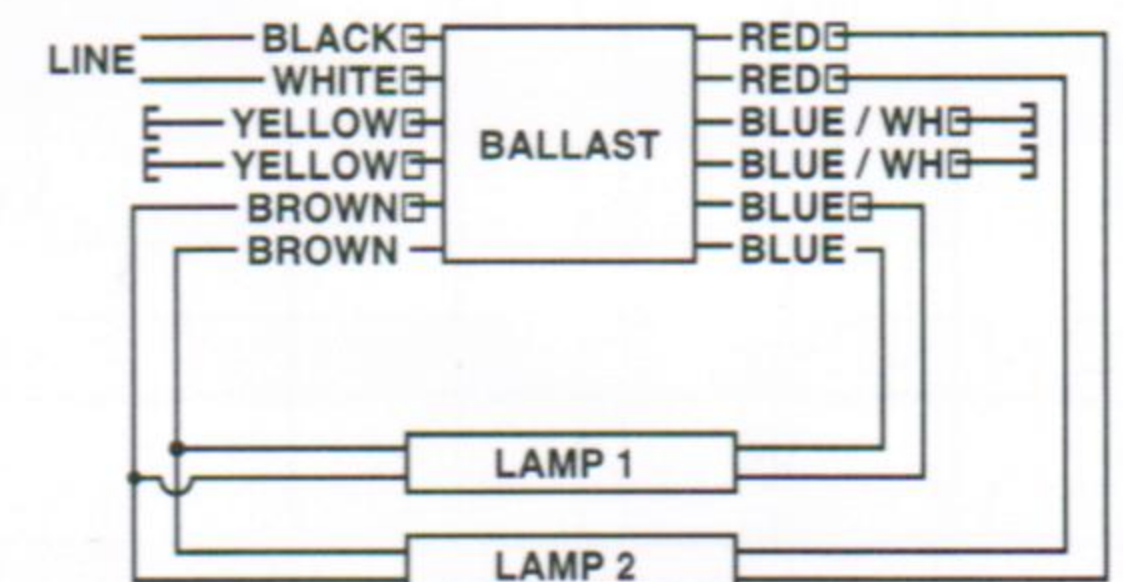
INDIVIDUALLY CAP THE YELLOW AND BROWN LEADS
Diagram 20



INDIVIDUALLY CAP THE BROWN LEADS
Diagram 21



INDIVIDUALLY CAP THE BROWN AND ORANGE/BLK LEADS
Diagram 22



MOUNT LAMPS WITHIN 1" OF GROUNDED METAL REFLECTOR
Diagram 23

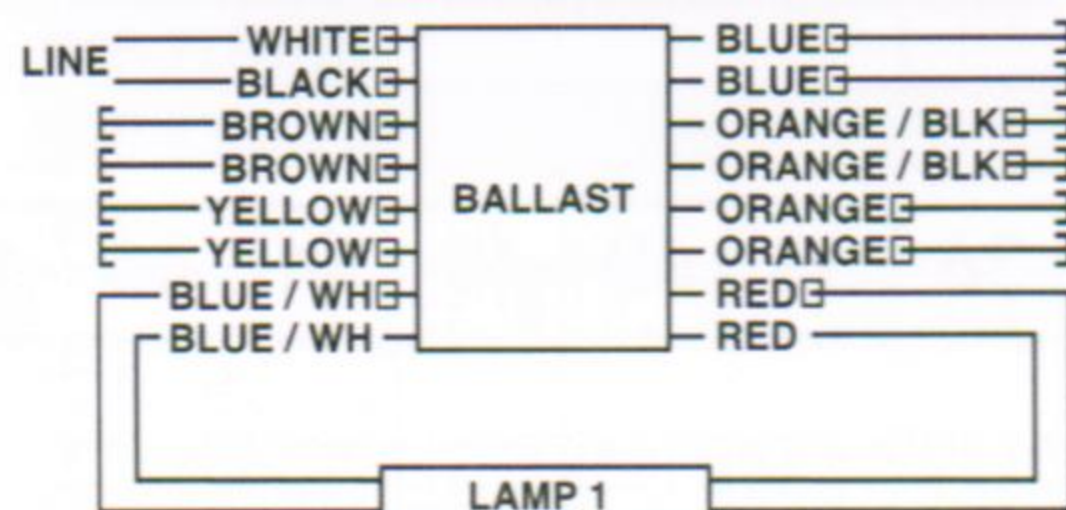


Diagram 24

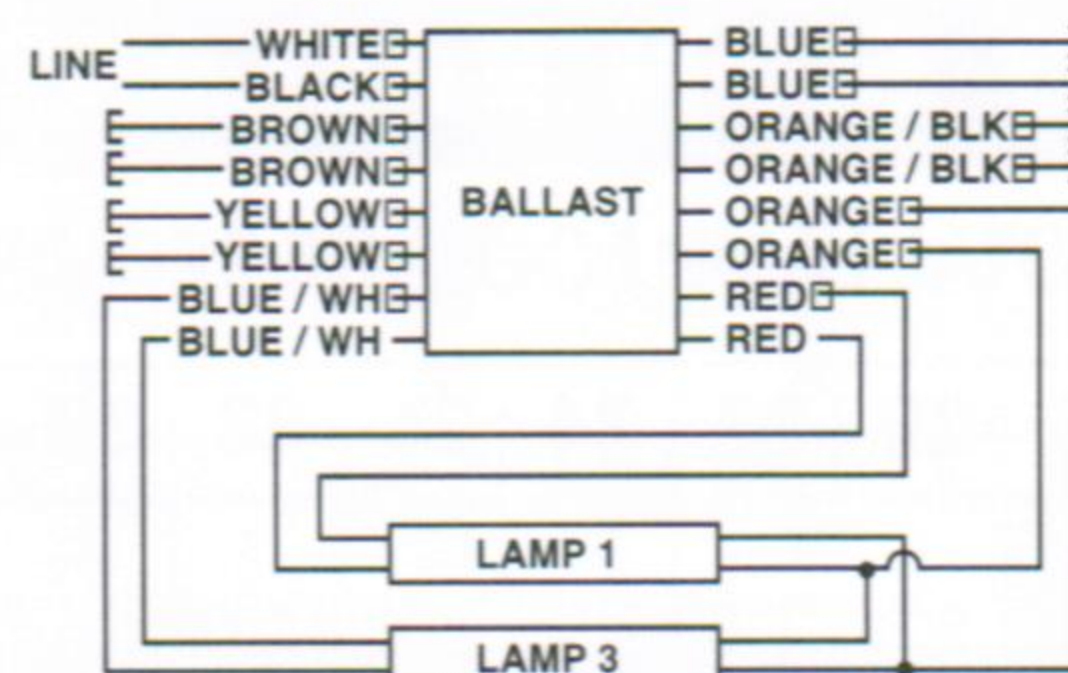


Diagram 25

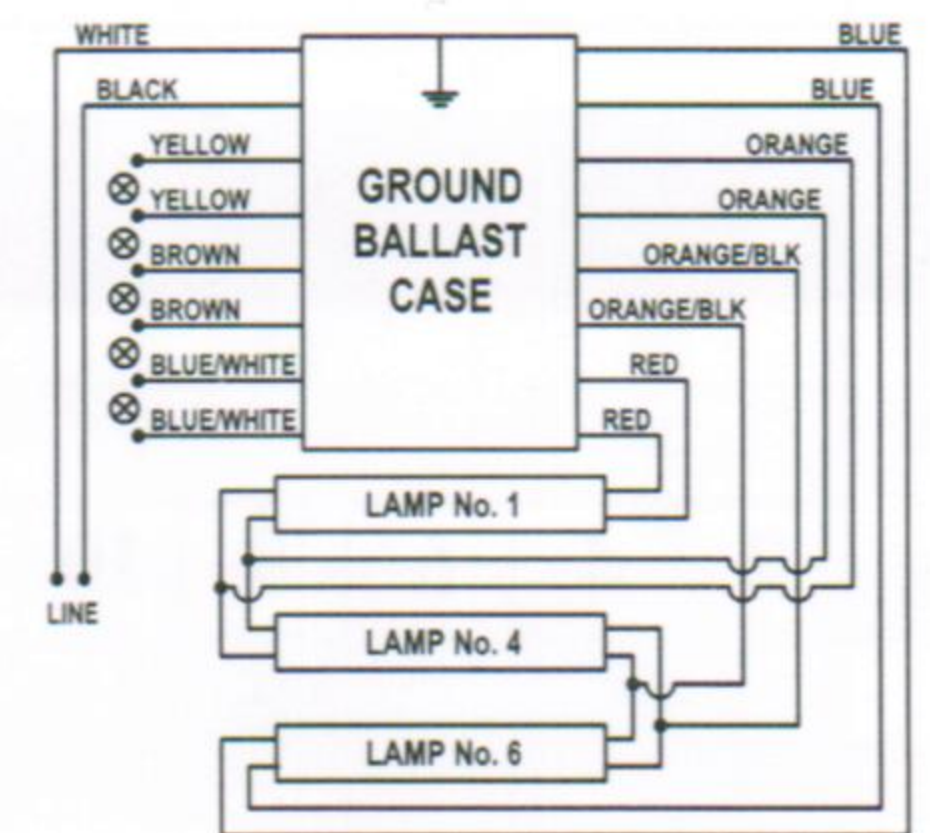


Diagram 26

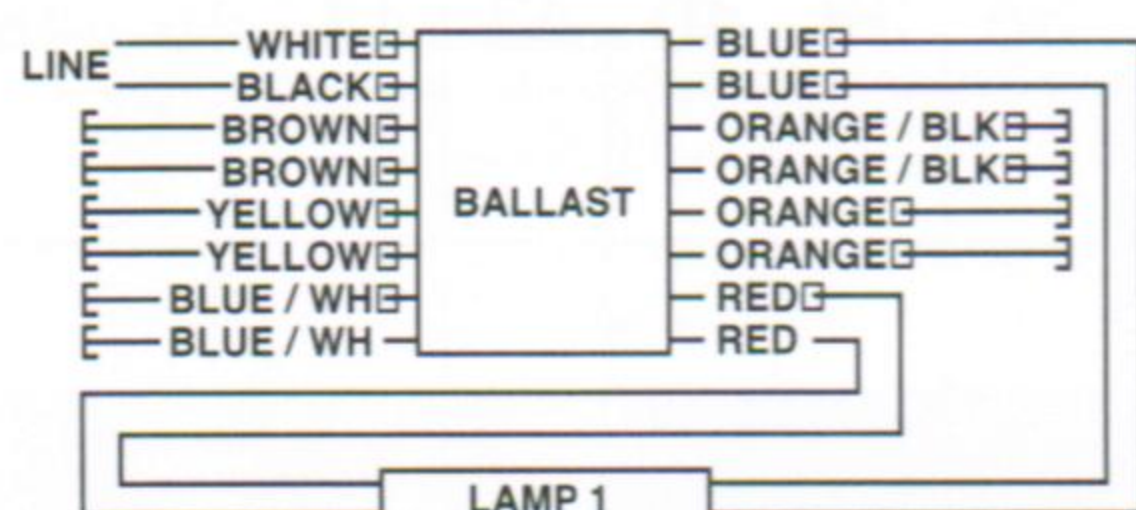


Diagram 27

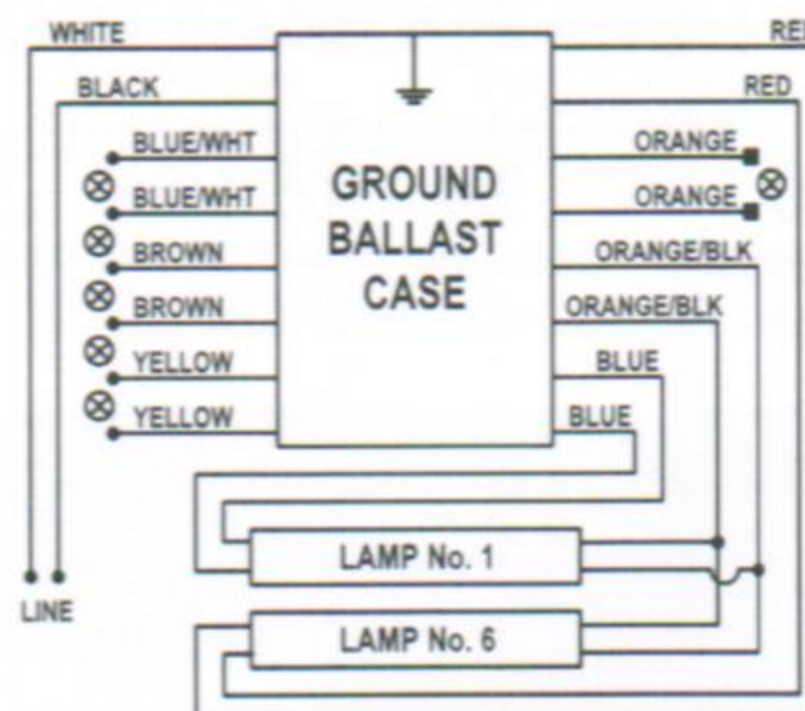


Diagram 28

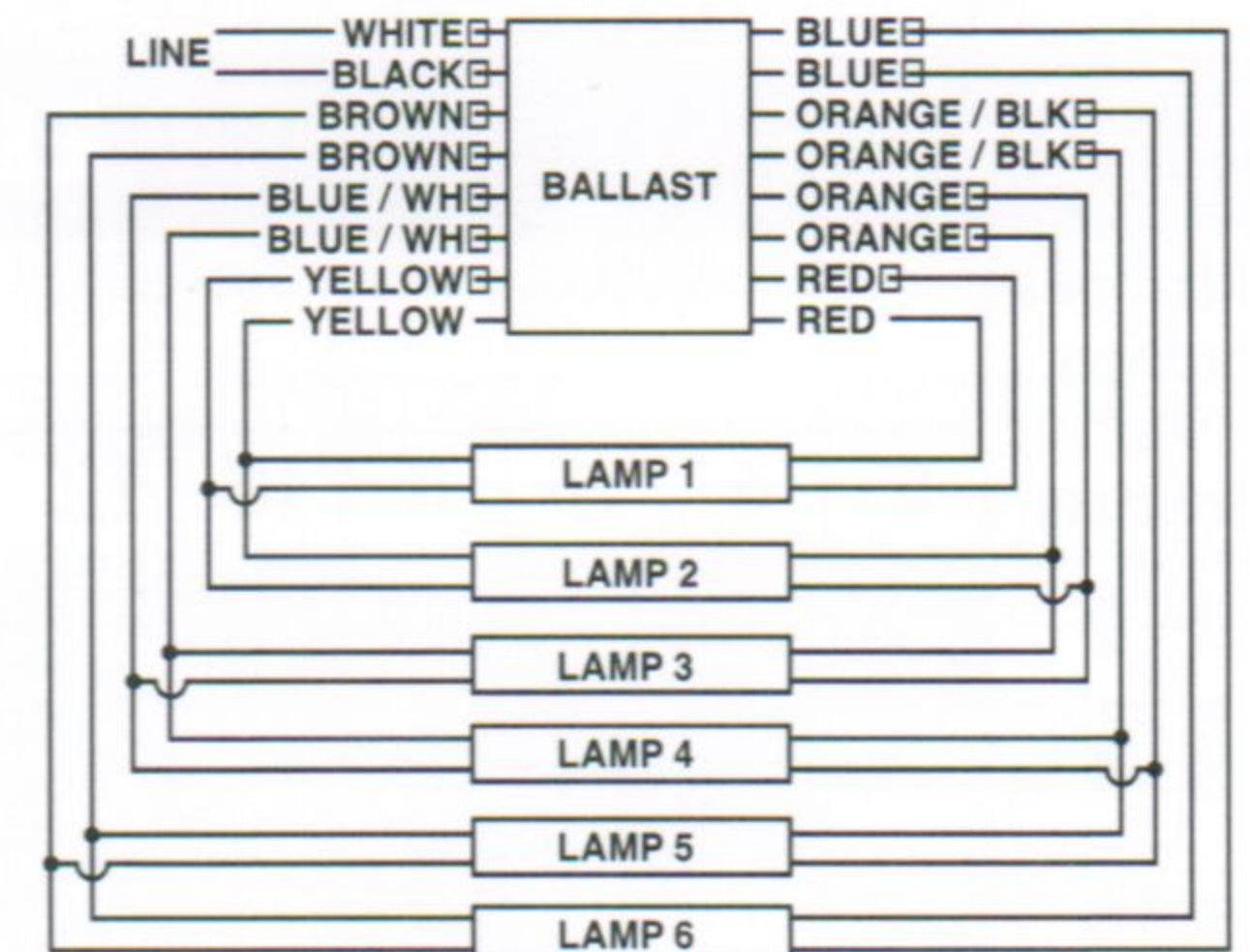


Diagram 29

For More Information, Call
1-800-BALLAST
(225-5278)

